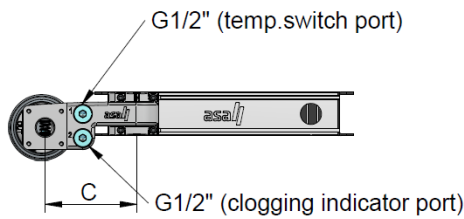
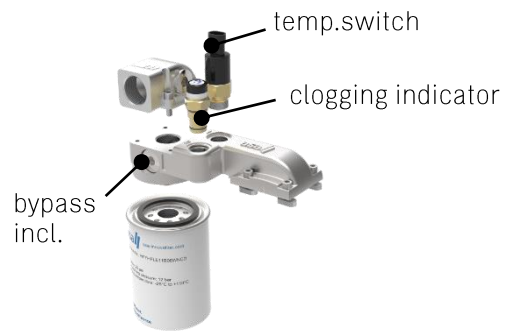
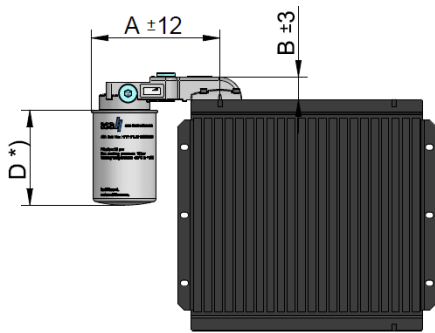


# OIL / AIR Coolers

## Tank-Filter-Range / H-Set



The H-Set is an optional system to integrate another hydraulic set to the asa rail system. The H-Set currently offers 2 sizes of kits to mount a spin on filter to the cooler application. This is a very compact and cost efficient integration. This system can also be combined with various other filters or the shown configurations. Contact us for further options and assistance to select the optimal product for you.



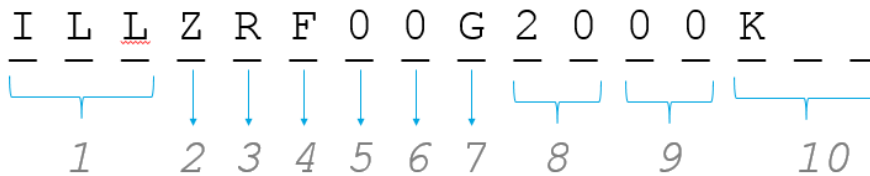
\*) depending on the make of the filter element

- compact filter integration
- standard spin on filter
- compatible to whole rail series

### Dimension

order number	description	filter rating	working pressure	bypass incl.	spin on port	A	B	C	D
		[ $\mu$ m]	[bar]	[bar]	[BSP]	[mm]	[mm]	[mm]	[mm]
ILLZRF11G2010	Spin on filter kit rail 10 $\mu$ m, 60lpm	10	10	2	3/4"	188	33	135	146
ILLZRF11G2025	Spin on filter kit rail 25 $\mu$ m, 60lpm	25	10	2	3/4"	188	33	135	146
ILLZRF12G2010	Spin on filter kit rail 10 $\mu$ m, 100lpm	10	10	2	3/4"	188	33	135	191
ILLZRF12G2025	Spin on filter kit rail 25 $\mu$ m, 100lpm	25	10	2	3/4"	188	33	135	191

### Article Code



#### 1 Product Series

ILL	Accessories to coolers
-----	------------------------

#### 2 Design Type

Z	Accessories
---	-------------

#### 3 Design Type

R	Rail system
---	-------------

#### 4 Design Type

F	Filter
---	--------

#### 5 Spin on filter size

0	no filter
1	size 1 (92,6 mm)
2	size 2 (129 mm)

#### 6 Spin on filter length

0	no filter
1	filter length (146 mm)
2	filter length (191 mm)

#### 7 Connection standard

G	BSP
U	SAE o-ring (UNF)

#### 8 Connection size

20	3/4"
25	1 1/4"

#### 9 Filter rating

00	no filter
10	10 $\mu$ m
25	25 $\mu$ m

#### 10 Options

Bxx	Special / customized specifications, to be advised
K	standard kit

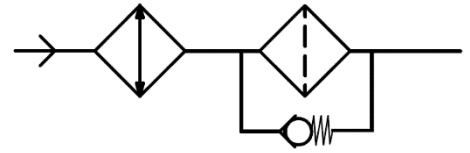
# Thermal Systems / Accessories

## System for Rail Series



### Rail-filter Block

material:	aluminium
working temperature range:	-20°C to +100°C (oil temperature)*
Sealing to rail flange:	o-ring NBR
bypass:	incl. 2 bar standard setting



### Hydraulic Connection

compatible to	any rail system cooler
---------------	------------------------

### Application

main application	offline circuits, lubrication, cooling and filtration circuits
oil flow	from cooler to filter

### Options

temperature switches	ILLZTH5069K, ILLZTH4765K, ILLZTH6065K
clogging indicator / indication pressure 1,5 bar	electric: HFZVEG15K N.O. & N.C.contact optical: HFZVOG15K



\*...the indicated temperature is the maximum inlet temperature for the cooler radiator.  
Depending on the sealings in use, the application needs appropriate checking.